

# TEAC

## SERVICE MANUAL

---

# CR-H257i

CD / DAB Receiver With IPOD Dock

---



### NOTES

- PC board shown are viewed from parts side.
- The parts with no reference number or no parts number in the exploded views are not supplied.
- As regards the resistors and capacitors, refer to the circuit diagrams contained in this manual.
- ⚠ Parts marked with this sign are safety critical components. they must be replaced with identical components - refer to the appropriate parts list and ensure exact replacement.
- Parts of [ ] mark can be used only with the version designated.  
[E]: EUROPE [UK]: U.K.

### CONTENTS

<b>1 SPECIFICATIONS</b> .....	2
<b>2 EXPLODED VIEW AND PARTS LIST</b> .....	3
<b>3 PC BOARDS AND PARTS LISTS</b> .....	6
<b>4 WIRING DIAGRAM</b> .....	14
<b>5 INCLUDED ACCESSORIES</b> .....	16

# CR-H257i

## 1 SPECIFICATIONS

### Amplifier Section

Output Power	25 W/ch (6 ohms, 0.5%, 1kHz)
Input Sensitivity	400 mV/47 ohms
Frequency Response :	20 to 60,000 Hz (+1/-3 dB)

### Tuner Section (FM)

Tuner Range	87.5 MHz to 108.0 MHz (50 kHz steps)
Signal-to-Noise Ratio	65 dB (Mono) 60 dB (Stereo)
Presets	30

### Tuner Section (AM)

Tuner Range	522 to 1629 kHz (9 kHz steps)
Signal-to-Noise Ratio	35 dB
Presets	30

### Tuner Section (DAB)

Frequency Range	Band3, 174 MHz-240MHz
Input	50 ohms, nominal
Max signal	-3 dBm typ
Sensitivity	-96 dBm typ
Adjacent Channel Rejection	35 dB typ
Presets	10
Audio output	Stereo, 2.5 V-P-P
Digital output	24 bit/48 kHz resolution

### CD Player Section

Frequency Response	20 to 20,000 Hz (+/-2dB)
Signal-to-Noise Ratio	More than 95 dB
Wow and Flutter	Unmeasurable

### General

Power Requirements	AC230V, 50 Hz
Power Consumption	75 W 1.5 W (standby)

### Dimension (W x H x D)

Main Unit	215 x 110 x 359 mm
Dock (without cable)	100 x 40 x 106mm

Weight: (net)	Main Unit	4.4 kg
	Dock	0.4kg

### Standard Accessories

Remote Control Unit x 1  
Batteries (AAA x 2)  
FM Lead-type Antenna x 1  
AM Loop Antenna x 1  
DAB Antenna x 1

Dock x 1  
Dock adaptor x 8  
(adaptor "60GB(color)+ Photo 40GB/60GB"  
premounted)  
Cover for the dock x 1

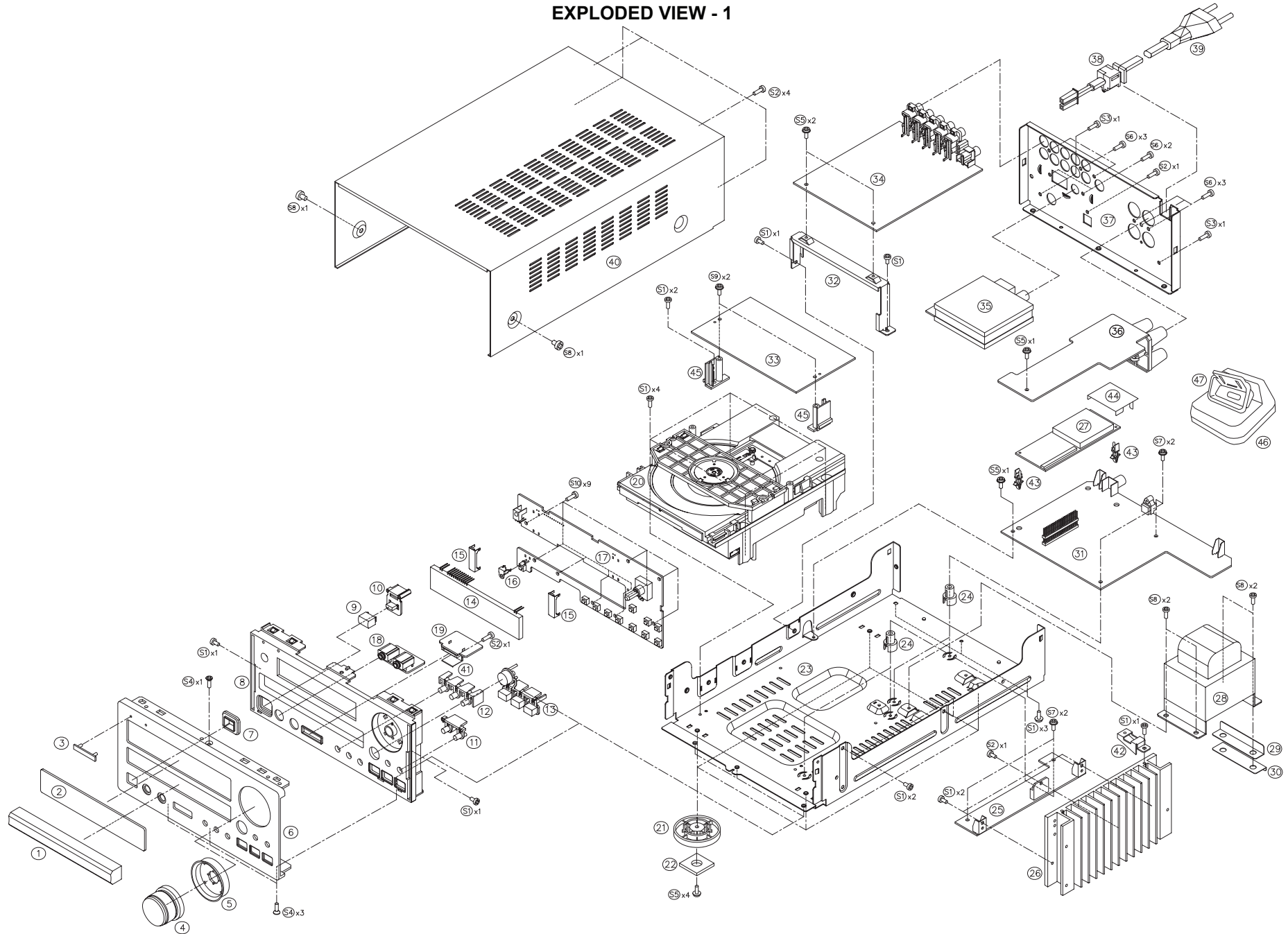
Owner's manual x 1  
Warranty card x 1

- Design and specifications are subject to change without notice.
- Illustrations may differ slightly from production models.
- Weight and dimensions are approximate.

# CR-H257i


## 2 EXPLODED VIEWS AND PARTS LIST

### EXPLODED VIEW - 1



# CR-H257i

## EXPLODED VIEW-1

REF. NO	PARTS NO.	DESCRIPTION	REMARKS
1-1	CGR1A345K122	ORNAMENT, DOOR - BLACK	
	CGR1A345M7G5	ORNAMENT, DOOR - SILVER	
1-2	CGU1A347Z	WINDOW, FIP	
1-3	CGB1A047Y	BADGE, TEAC - BLACK	
	KGB1A047Z	BADGE, TEAC - SILVER	
1-4	CGK1A098XA	VOLUME KNOB ASSY - BLACK	
	CGK1A098YA	VOLUME KNOB ASSY - SILVER	
1-5	CGR1A346MBC22	ORNAMENT, RING	
1-6	CKM1A184YC61	PANEL, FRONT (AL) - BLACK	
	CKM1A184YC35	PANEL, FRONT (AL) - SILVER	
1-7	CGL1A133	INDICATOR, STANDBY	
1-8	CGW1A432K122	PANEL, SUB - BLACK	
	CGW1A432M7ZG5	PANEL, SUB - SILVER	
1-9	CBT1A495K122	CAP, STAND BY - BLACK	
	CBT1A495M7G5	CAP, STAND BY - SILVER	
1-10	CBT1A483	KNOB, STAND BY	
1-11	CBT1A493MBC22	KNOB, CPS	
1-12	CBT1A942K122	KNOB, MODE - BLACK	
	CBT1A942M7G5	KNOB, MODE - SILVER	
1-13	CBT1A943ZK122	KNOB, PLAY - BLACK	
	CBT1A943M7ZG5	KNOB, PLAY - SILVER	
1-14	HFLHCA-17SM03T	FIP	
1-15	CMD1A468	BRACKET, FIP	
1-16	CMD1A376	SUPPORT, LED	
1-17	COP11966C	FRONT PCB ASSY	
1-18	COP11966C	PHONE PCB ASSY	
1-19	COP11967C	IPOD PCB ASSY	
1-20	CJDKSL2130CCMZ	CD MECHANISM ASSY	
1-21	CKL2A055H45	FOOT	
1-22	KHG1A050Y	CUSHION, FOOT	
1-23	CUA2A248	CHASSIS, BOTTOM	
1-24	CHE1A030	HOLDER, PCB	
1-25	COP11966C	AMP PCB ASSY	
1-26	CMY1A233	HEAT SINK	
1-27	HNVFS2020V172C	MODULE, DAB (MADE IN CHINA)	
1-28	 CLT5P044ZE	TRAN, POWER	
1-29	CGX1A361	SHEET, HIGH	
1-30	CGX1A362	SHEET, LOW	
1-31	COP11966C	POWER PCB ASSY	
1-32	CMD1A573	BRACKET, PCB	
1-33	COP11967C	CD PCB ASSY	

## EXPLODED VIEW-1

REF. NO	PARTS NO.	DESCRIPTION	REMARKS
1-34	COP11967C	MAIN PCB ASSY	
1-35	CNVMB114MA18L	TUNER MODULE	
1-36	COP11966C	SPEAKER PCB ASSY	
1-37	CKF3A282P	PANEL, REAR	
1-38	KHR1A028	BUSHING, AC CORD	
1-39	CJA2B043ZA	CORD, POWER [E]	
	CJA2E086Z	CORD, POWER [UK]	
1-40	CKC1A156B25	CABINET, TOP - BLACK	
	CKC1A156G51	CABINET, TOP - SILVER	
1-41	CMD1A619	BRACKET, IPOD	
1-42	CMD1A620	BRACKET, PCB	
1-43	CMH1A226	SUPPORT, PCB	
1-44	CMC1A253	PLATE, EARTH	
1-45	CMH1A092	SUPPORT, CDP	
1-46	CAZDS18T	IPOD DOCK WITH CABLE ASSY	
1-47	CAZAK18T	IPOD ADAPTOR KIT	
S1	CTB3+6JR	SCREW	
S2	CTB3+8JFZR	SCREW	
S3	CTB3+6FFZR	SCREW	
S4	CTS3+8JR	SCREW	
S5	CTW3+8JR	SCREW	
S6	CTB3+6JR	SCREW	
S7	CTW3+18JR	SCREW	
S8	CTD4+6FFZR	SCREW	
S9	CTW3+12JR	SCREW	
S10	CTB3+10JR	SCREW	

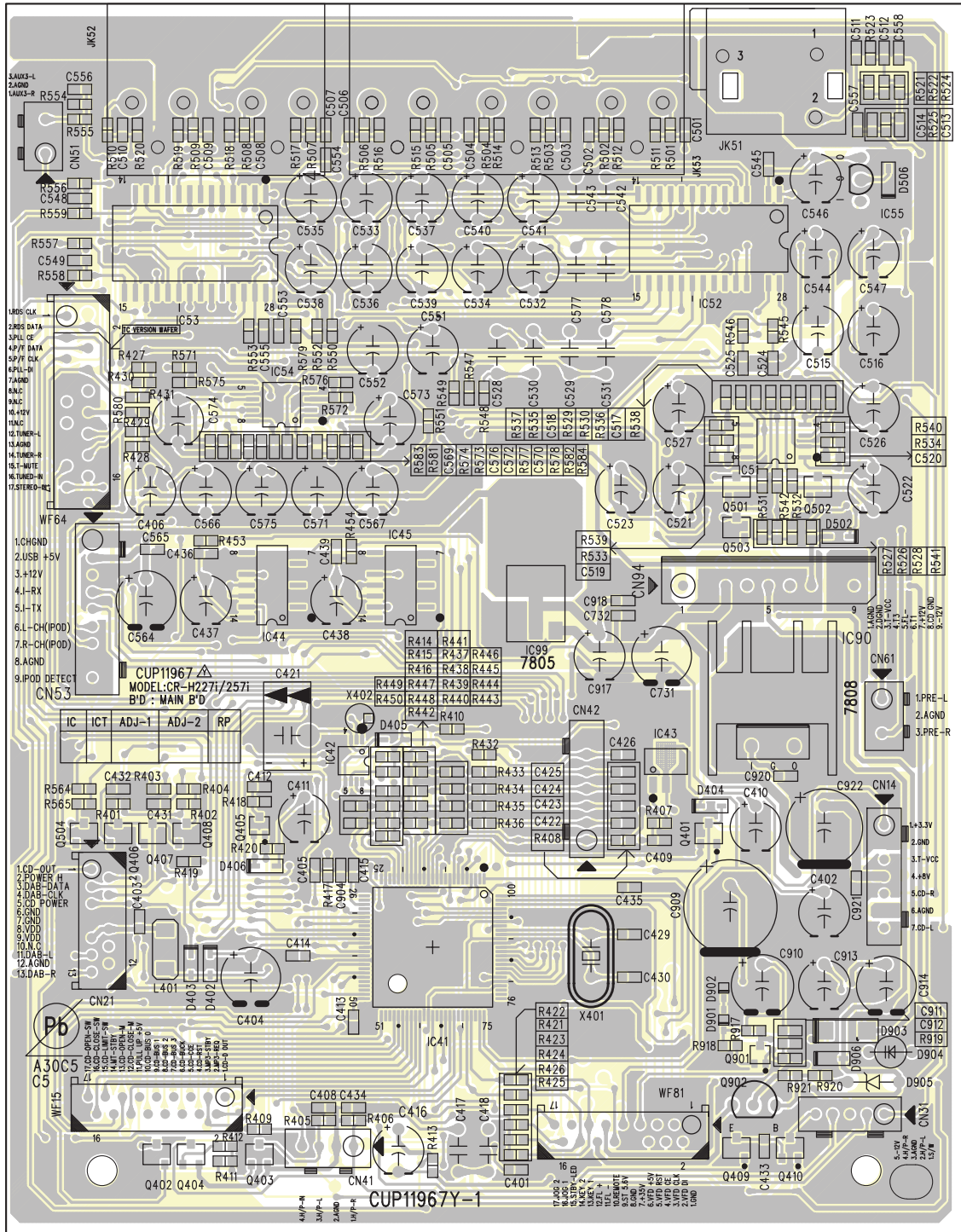
# CR-H257i

## 3 PC BOARDS AND PARTS LIST

### MAIN PCB ASSY

REF. NO	PARTS NO.	DESCRIPTION	REMARKS
	COP11967C	MAIN PCB ASSY	
	CUP11967Z-1	MAIN PCB	
CN14,CN42	CJP07GA19ZY	WAFER STRAIGHT 7PIN	
CN21	CJP13GA117ZY	WAFER, CARD CABLE	
CN31	CJP05GA19ZY	WAFER STRAIGHT 5PIN	
CN41	CJP04GA19ZY	WAFER STRAIGHT 4PIN	
CN51,61	CJP03GA19ZY	WAFER STRAIGHT 3PIN	
CN53	CJP09GA19ZY	WAFER STRAIGHT 9PIN	
CN94	CJP09GA01ZY	CON WAFER YMW025-09R	
D402-406,502, D506,906	CVD1SS355T	DIODE, CHIP 1SS355T	
D901	HVDUDZS27BSR	ZENER DIODE, CHIP 27V	
D902	HVDUDZS9.1BSR	ZENER DIODE, CHIP 9.1V	
D903	HVD1SR159-200	DIODE, SCHOTTKEY BARRIER	
D904	⚠ CVD1N4003SRT	DIODE - 1N4003	
D905	HVDMTZJ5.1BT	DIODE - ZENER 5.1V	
IC41	HVIST92F124V1T6	IC - ST92F124V1T6	
IC42	HVIISL1208IU8ZT	IC - SL1208IU8ZT	
IC43	HVIRH5VT28C	IC - RH5VT28C	
IC44	HVI74LVC04ADT	IC - 74LVC04ADT	
IC45	HVI74ACT04MTR	IC - 74ACT04MTR	
IC51,54	CVINJM5532M	IC - NJM5532M	
IC52	HVITDA7313NDTR	IC - TDA7313NDTR	
IC53	HVITC9163CFG	IC - TC9163CFG	
IC55	HVIKA78L08AZT	IC - KA78L08AZT	
IC90	HVIKIA7808API	IC - KIA7808API	
IC99	HVILM1117S-5.0	IC - LM1117S-5.0	
JK51	CJJ4M046Z	JACK BOARD	
JK52	CJJ4P014W	JACK, IN/OUT	
JK53	CJJ4R019W	TERMINAL, IN/OUT	
L401	HLZ9Z014Z	CHIP, BEAD	
Q401,408,410	HVTKRC107S	TR - CHIP KRC107S	
Q402,409,503	HVTKRA107ST	TR - CHIP KRA107ST	
Q403,404,501,502	HVTKTD1304T	TR - CHIP KTD1304T	
Q405	HVTKTA2014GR	TR - CHIP KRA2014GR	
Q406,407,504	HVTKRC102S	TR - CHIP KRC102S	
Q901	HVTKTC4075GR	TR - SMD KTC4075GR	
Q902	HVTKSC2316YT	TR - KSC2316Y	
WF15,81	CJP17GA117ZY	WAFER	
WF64	CJP17GA115ZY	WAFER CARDCABLE	
X401	HOX04000E150C	CRYSTAL 4.00MHZ	
X402	HOX00032K120I	CRYSTAL 32.768KHZ	

## MAIN PCB



# CR-H257i

## CD PCB ASSY

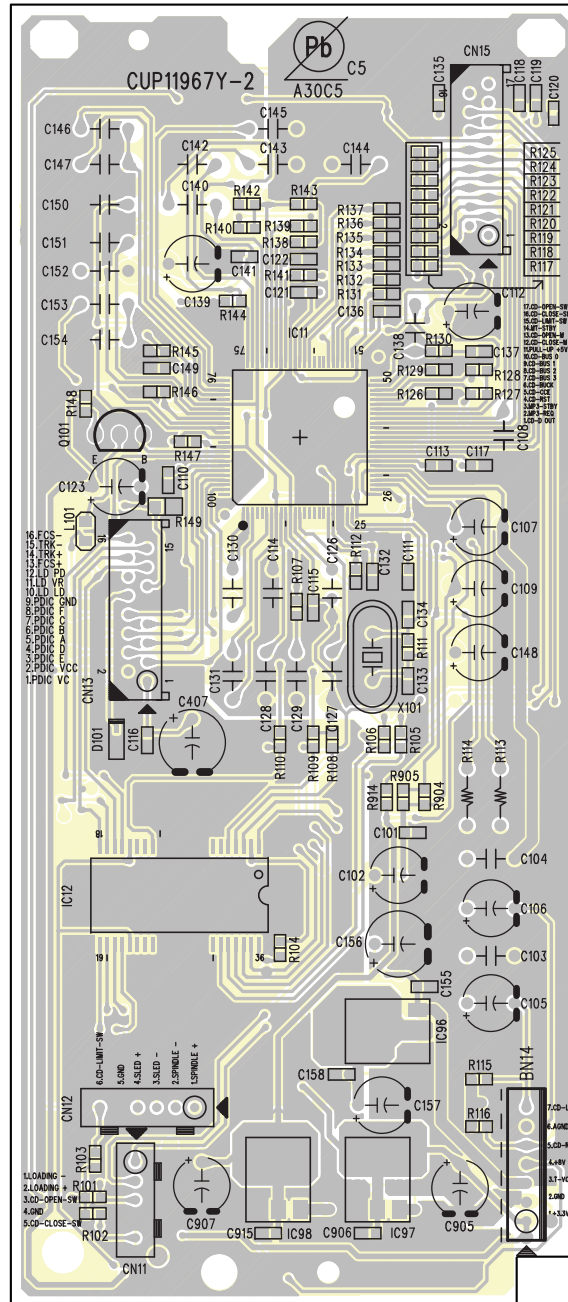
REF. NO	PARTS NO.	DESCRIPTION	REMARKS
	COP11967C	CD PCB ASSY	
	CUP11967Z-2	CD PCB	
CN11	CJP05GA19ZY	WAFER STRAIGHT 5PIN	
CN12	CJP06GA19ZY	WAFER STRAIGHT DVD LOADER	
CN13	CJP16GA117ZY	WAFER	
CN15	CJP17GA117ZY	WAFER	
D101	CVD1SS355T	DIODE, CHIP 1SS355T	
IC11	HVITC94A54MFG01	IC - TC94A54MFG01	
IC12	HVITA2125AFG	IC - TA2125AFG	
IC96	HVILM1117S-5.0	IC - LM1117S-5.0	
IC97	HVILM1117S-3V3	IC - LM1117S-3V3	
IC98	HVILM1117S-1V5	IC - LM1117S-1V5	
L101	HLQ08E100KRZ	INDUCTOR, CHIP	
Q101	HVTKTA1266Y	TR - KTA1266YT	
X101	HOX16934E120C	CRYSTAL 16.934MHZ	

## IPOD PCB ASSY

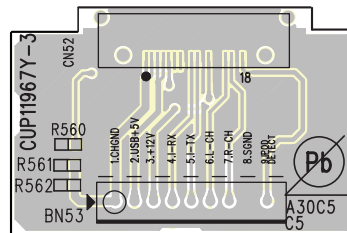
REF. NO	PARTS NO.	DESCRIPTION	REMARKS
	COP11967C	IPOD PCB ASSY	
	CUP11967Z-3	IPOD PCB	
BN53	CWZCRH227IBN53	WIRE ASSY 9PIN	
CN52	HJJ9L003Z	JACK, IPOD	



CD PCB



I-POD PCB



# CR-H257i

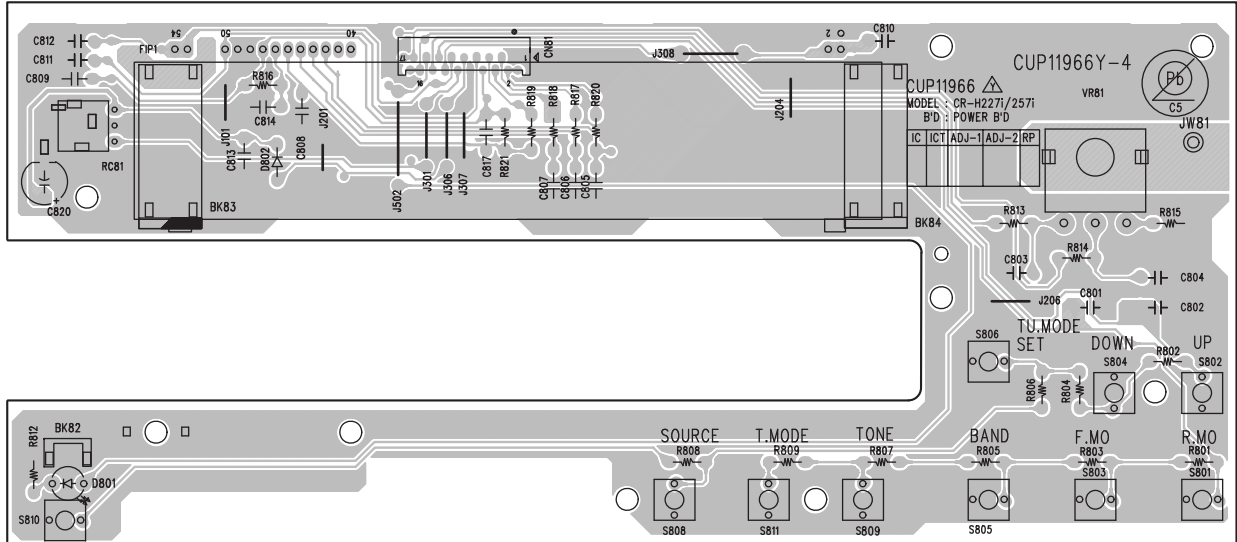
## FRONT PCB ASSY

REF. NO	PARTS NO.	DESCRIPTION	REMARKS
	COP11966C	FRONT PCB ASSY	
	CPU11966Z-4	FRONT PCB	
CN81	CJP17GB113ZY	WAFER	
D801	HVD342YCTB7T089	LED - YELLOW	
D802	CVD1SS133MT	DIODE - 1SS133MT	
FIP 1	HFLHCA-17SM03T	FIP	
RC81	HRVKSM603TH2	SENSOR, REMOCON	
S801-806,808, S809-811	CST1A012ZT	SW, TACT	
VR81	HSR2A011Z	VR, ENCODER	

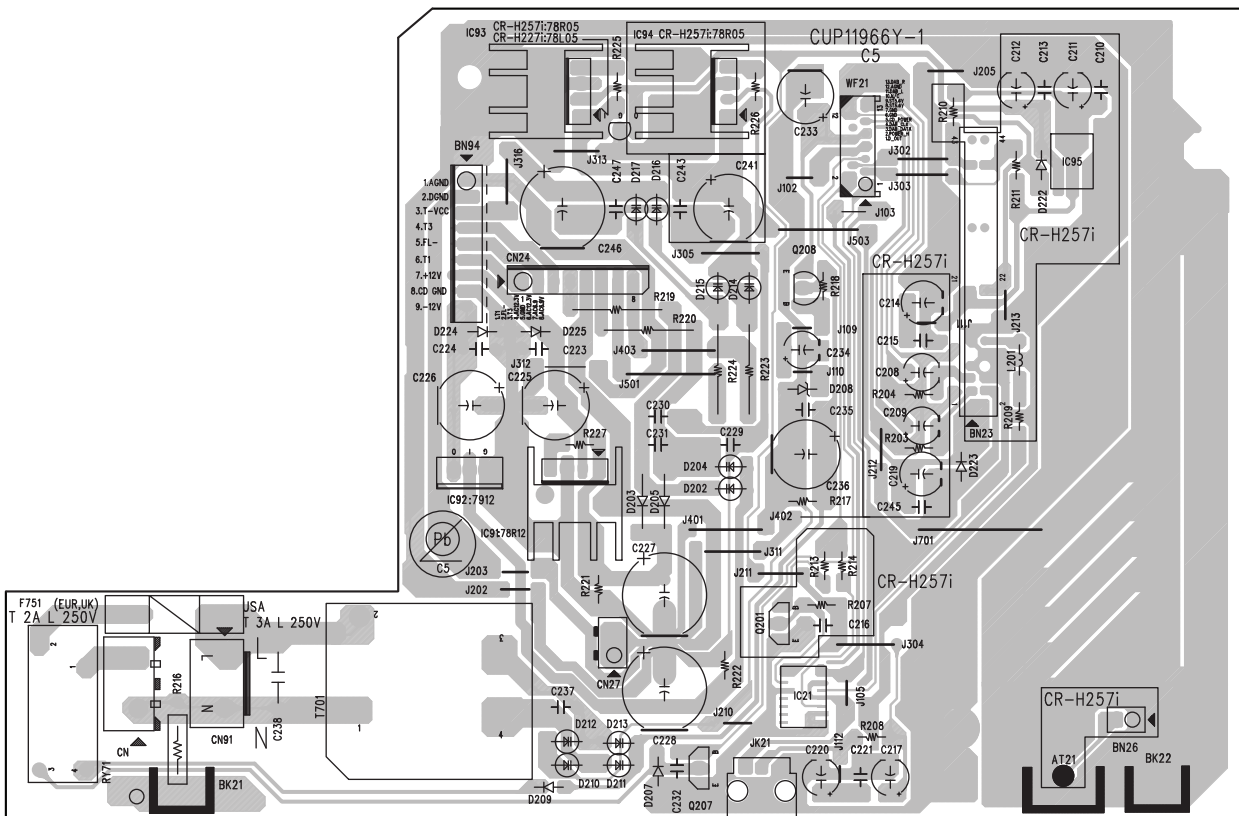
## POWER PCB ASSY

REF. NO	PARTS NO.	DESCRIPTION	REMARKS
	COP11966C	POWER PCB ASSY	
	CUP11966Z-1	POWER PCB	
BN23	CJP44TT153ZY	PIN, HEADER 2MM	
BN26	KJP02TT155ZY	PIN, HEADER 2.54MM	
BN94	CWB1C909150BM	WIRE ASSY	
C225,226,241	⚠ CCEA1CH102E	E.CAP 1000UF/16V	
C227,228	⚠ CCEA1EH222E	E.CAP 2200UF/25V	
C246	⚠ CCEA1CH222E	E.CAP 2200UF/16V	
CN24	CJP08GA01ZY	WAFER, STRAIGHT 8PIN	
CN27	CJP03GA19ZY	WAFER, STRAIGHT 3PIN	
CN91	CJP02KA060ZY	WAFER 2PIN	
CN92	CJP02GA89ZM	WAFER 2PIN	
D202,204,210	⚠ CVD1N4003SRT	DIODE - 1N4003SRT	
D211-217			
D203,205	⚠ CVD1N4003ST	DIODE - 1N4003ST	
D207,209,222-225	CVD1SS133MT	DIODE - 1SS133MT	
D208	HVDMTZJ6.8BT	ZENER DIODE - 6.8V	
FUSE	⚠ KBA2C2000TLEZ	FUSE T2A L250V	
IC21	HVI74HC4066D	IC - 74HC4066D	
IC91	HVIKA78R12	IC - KA78R12	
IC92	HVIKA7912PI	IC - KIA7912PI	
IC93,94	HVIKA78R05	IC - KA78R05	
IC95	HVILM1117S-3V3	IC - LM1117S-3V3	
JK21	HJSTOTX177L	MODULE, OPTICAL	
L201	HLQ02C2R7KT	COIL, AXIAL	
Q201,207	HVTKRC107MT	TR - KRC107MT	
Q208	HVTKSC2316YT	TR - KSC2316YT	
RY71	HSL1A008ZE	RELAY	
T701	⚠ CLT5I007ZE	TRANS, SUB	

## FRONT PCB



## POWER PCB



# CR-H257i

## SPEAKER PCB ASSY

REF. NO	PARTS NO.	DESCRIPTION	REMARKS
C204,205 CN25 CN93	⚠ COP11966C CUP11966Z-2 CCEA35VH332E CJP08GB03ZY CJP03GA90ZY	SPEAKER PCB ASSY SPEAKER PCB E.CAP 3300UF/35V WAFER 8PIN WAFER 3PIN	
D201 D301 L202,203 SP31 RY72	⚠ HVDGBJ1006 CVD1SS133MT KLZ9H001Z CJJ5P012Z HSL4A004ZU	DIODE BRIDGE DIODE - 1SS133MT BEAD, CORE TERMINAL, SPEAKER RELAY	

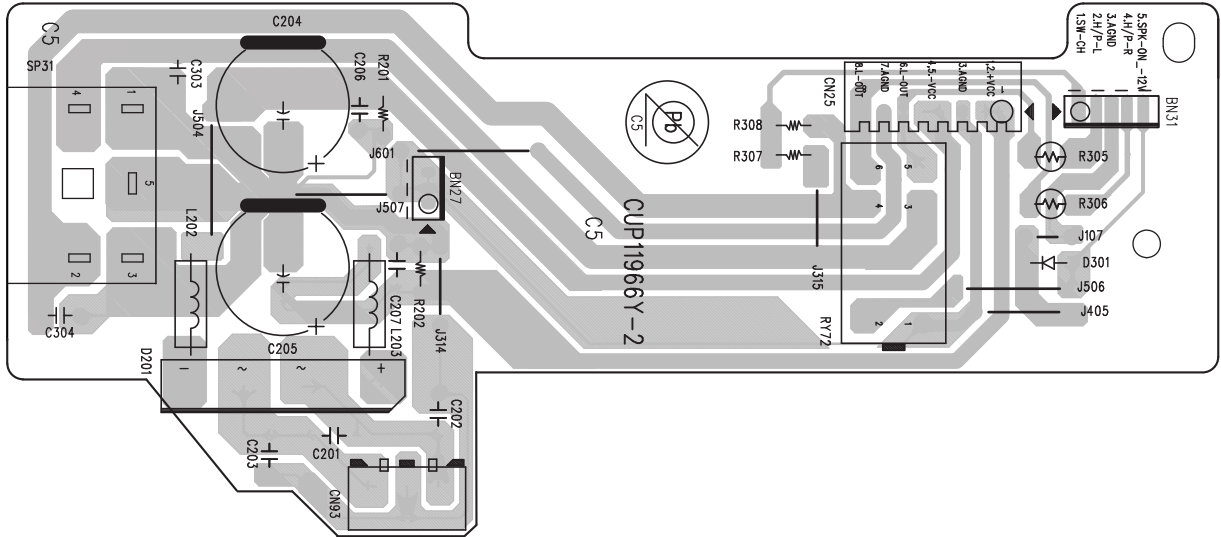
## AMP PCB ASSY

REF. NO	PARTS NO.	DESCRIPTION	REMARKS
IC61 L601,602	COP11966C CUP11966Z-3 CVITDA7292 KLZ9H001Z	AMP PCB ASSY AMP PCB IC - TDA7292 BEAD, CORE	

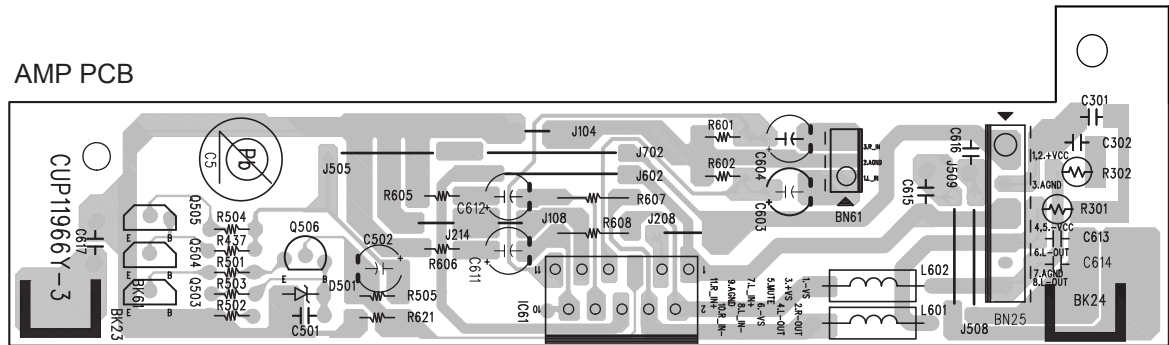
## PHONE PCB ASSY

REF. NO	PARTS NO.	DESCRIPTION	REMARKS
BN81 JK81,82	COP11966C CUP11966Z-3 CWZCRH227IBN81 HJJ2E027Z	PHONE PCB ASSY PHONE PCB WIRE ASSY 7PIN JACK, HEADPHONE	

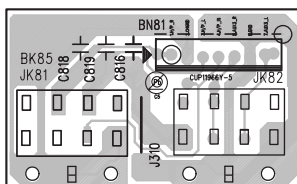
## SPEAKER PCB



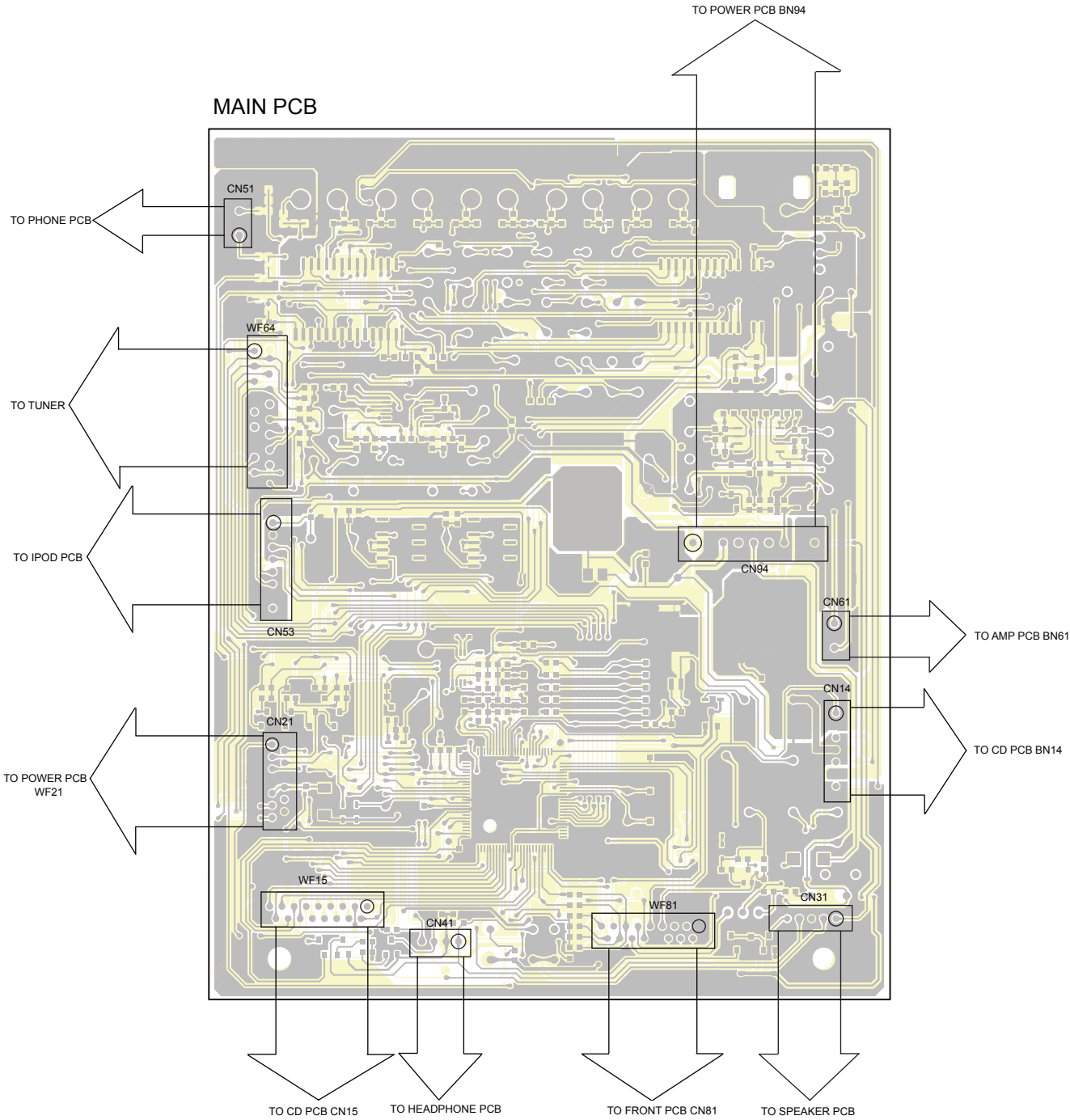
## AMP PCB

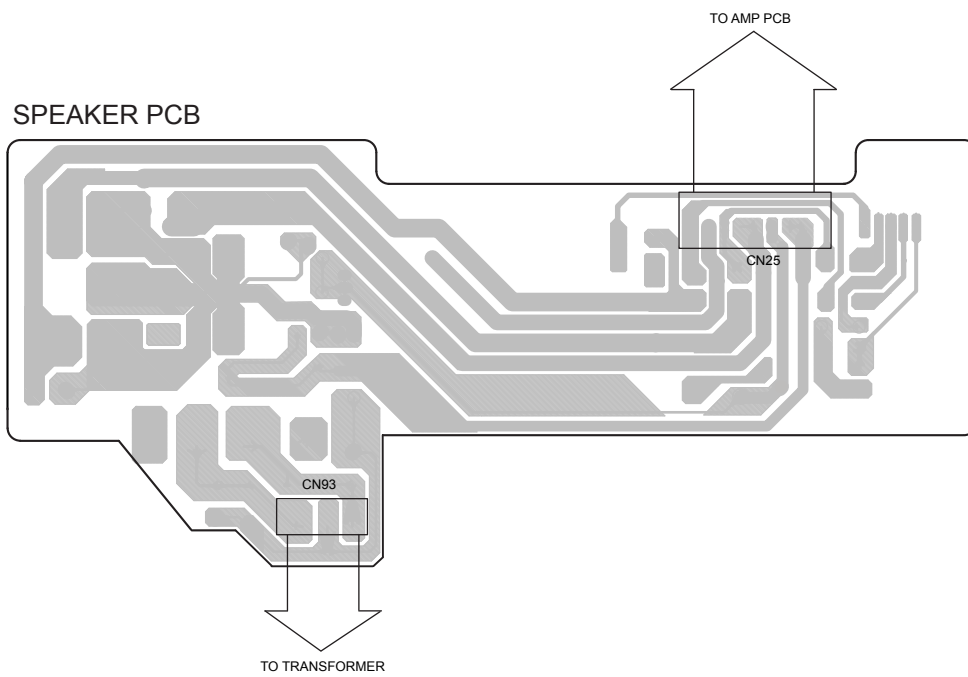
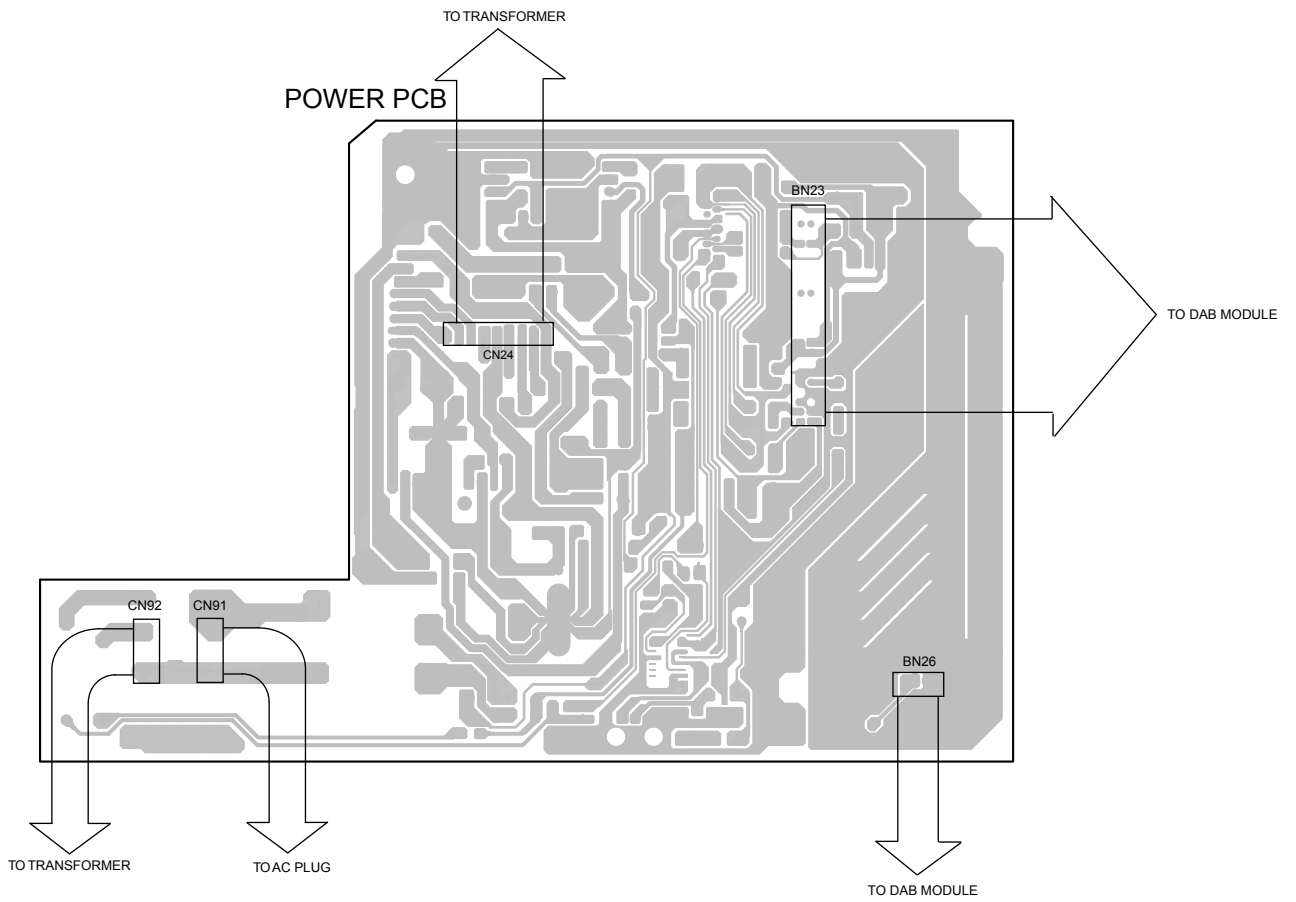


## PHONE PCB



4 WIRING DIAGRAM





# CR-H257i

## 5 INCLUDED ACCESSORIES

### INCLUDED ACCESSORIES

REF. NO	PARTS NO.	DESCRIPTION	REMARKS
	CQX1A1191Z	INSTRUCTION MANUAL[UK]	
	CQX1A1193Z	INSTRUCTION MANUAL [E]	
	CARTCRH2271B	REMOTE CONTROL ASSY - BLACK	
	CARTCRH2271S	REMOTE CONTROL ASSY - SILVER	
	CSA1A020Z	AM LOOP ANT	
	CSA1A018Z	ANT, FM 1 POLE	
	CSA272	ANT, DAB T	
	CABR03P	BATTERY (SIZE: AAA)	
	CAZDS18T	IPOD DOCK WITH CABLE ASSY	
	CAZAK18T	IPOD ADAPTOR KIT	



# CR-H257i

---

# TEAC

---

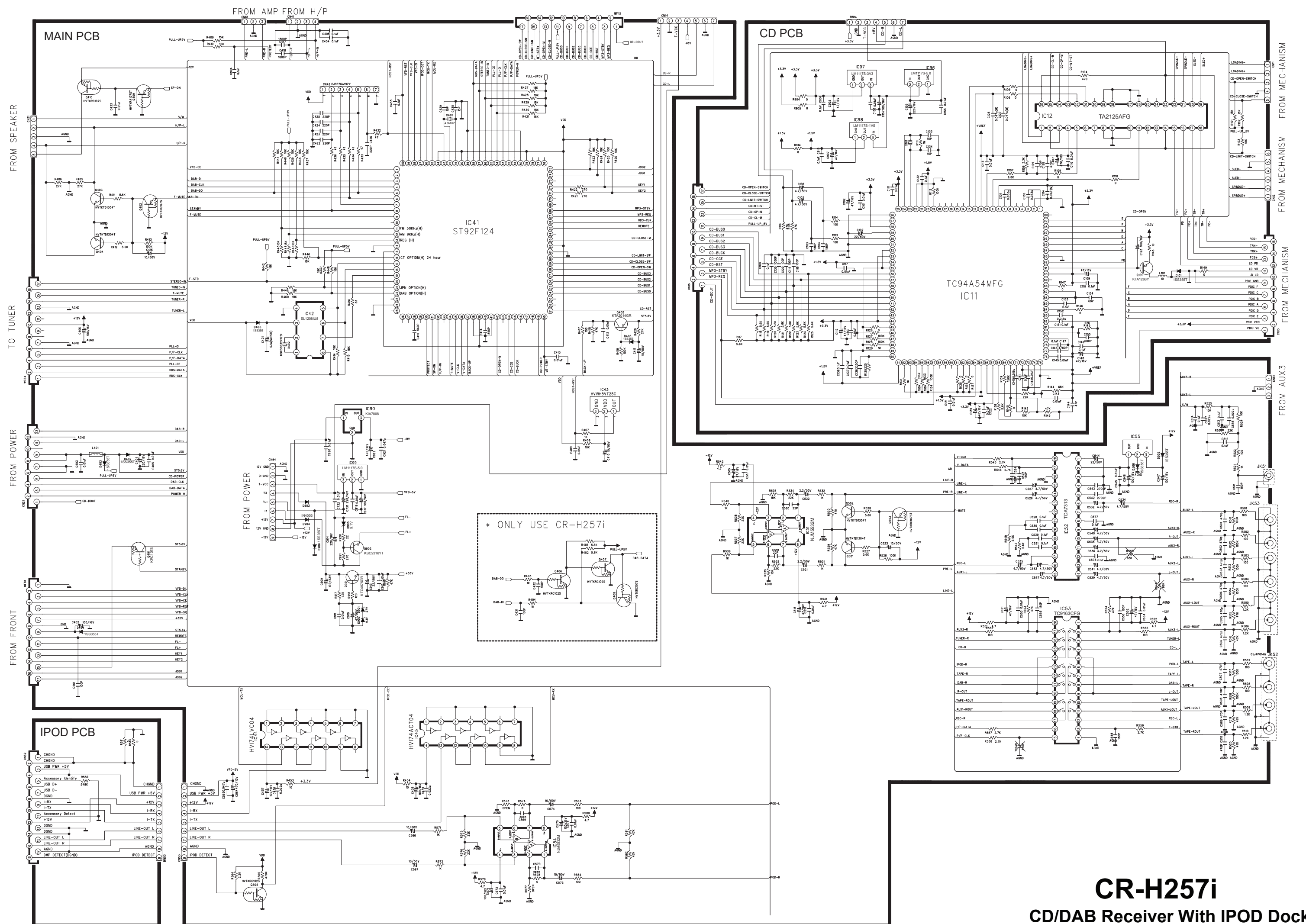
---

<b>TEAC CORPORATION</b>	3-7-3 Nakacho, Musashino-shi, Tokyo 180-8550, Japan Phone:(0422)52-5081
TEAC AMERICA, INC.	7733 Telegraph Road, Montebello, California 90640 Phone: (323)726-0303
TEAC CANADA LTD.	5939 Wallace Street, Mississauga, Ontario L4Z 1Z8, Canada Phone: (905)-890-8008
TEAC MEXICO, S.A.De C.V.	Campesinos N°184, Colonia.Granjas Esmeralda, Delegacion Iztapalapa, CP 09810, Mexico DF Phone: (525)-581-5500
TEAC UK LIMITED	Unit 19 & 20, The Courtyards, Hatters Lane, Watford, Hertfordshire, WD18 8TE5, U.K. Phone:(0845) 130-2511
TEAC EUROPE GmbH	Bahnstrasse 12, 65205 Wiesbaden-Erbenheim, Germany Phone: 0611-71580
TEAC ITALIANA S.p.A.	Via C, Cantu 9/A, 20092 Cinisello Balsamo, Milano, Italy Phone:02-66010550
TEAC AUSTRALIA PTY., LTD.	280 William Street, Melbourne VIC 3000, Australia Phone:(03)9672-2400
A.B.N. 80 005 408 462	

---

SEP 2007

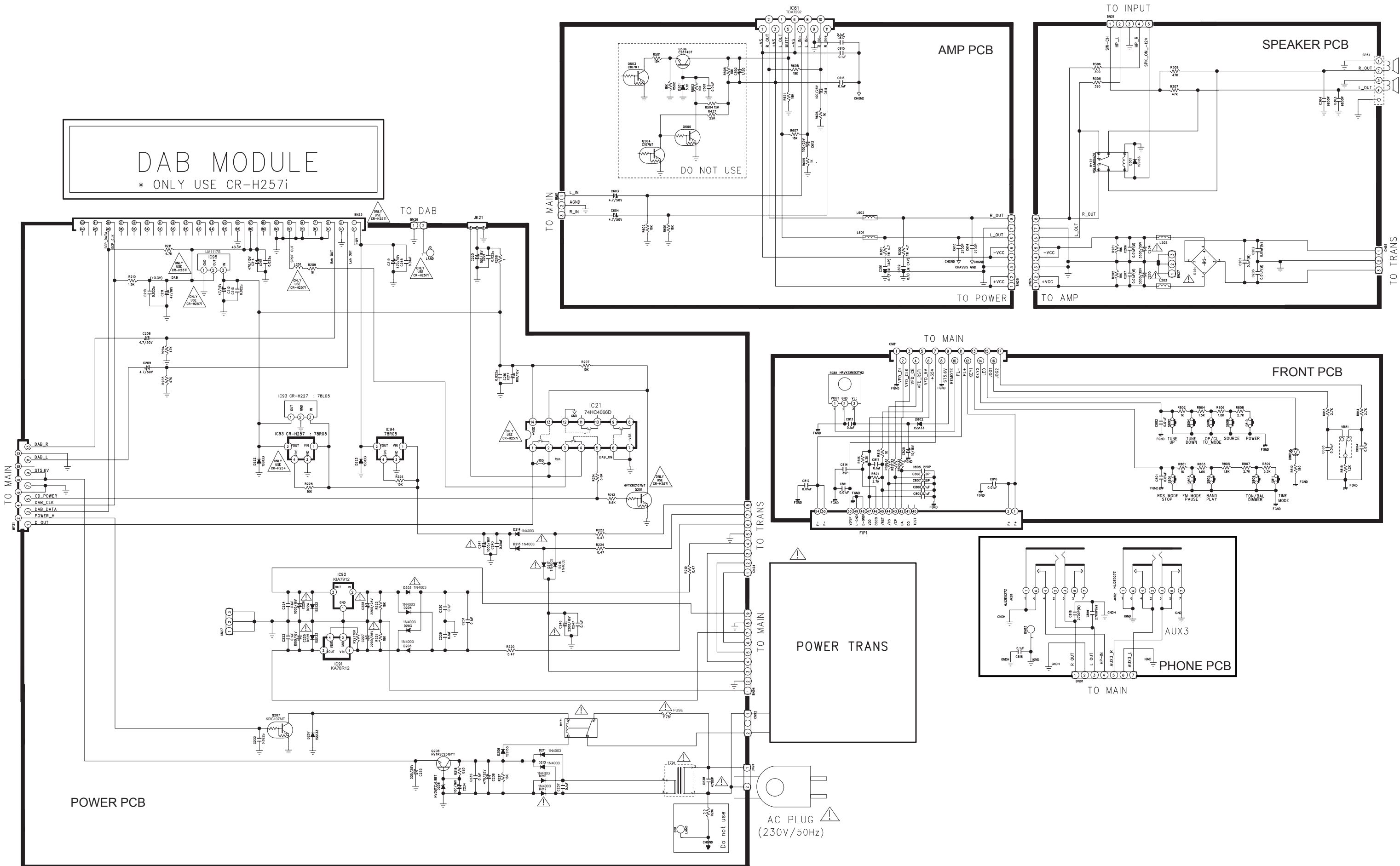
PREPARED IN HONG KONG



**CR-H257i**  
**CD/DAB Receiver With IPOD Dock**

# DAB MODULE

\* ONLY USE CR-H257i



## CR-H257i

CD/DAB Receiver With IPOD Dock